

6 Channels Intelligent Dimmer Rack

LT-0620P 6 channels ,20A per channel



Main Functions

- 6 dimmed outputs and 20A/ch
- One 20A MCB and one bypass switch for each channel
- Applicable to distributed intelligent lighting control system
- Compatible with LT-NET signal and DMX-512 signal
- One group of 12V DC voltage output for control system
- LED indications for three phase power supply, and one LED for communication indication
- 128 preset scenes
- 128 divided zones
- Fade time: 1~100s
- Super SCR and fast electromagnetic switch reduce probability of SCR burn-out by short-circuit
- Each channel is provided with one professional grade filter(200us) for efficient attenuation of lamp filament noise
- Automatic voltage limiting function keeps voltage output within 230V to extend lamp lifetime
- Applicable for incandescent lamps, tungsten halogen lamps, and transformer-fed low voltage lamps

Product Characteristics

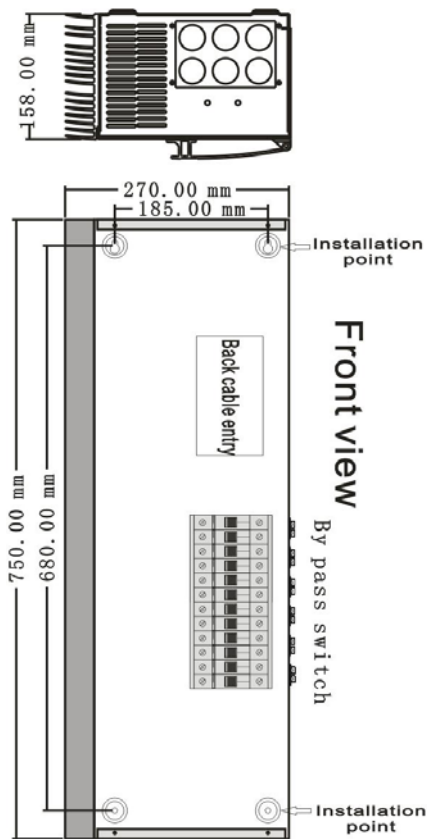
Control Electronics:	full digital, microprocessor controlled;
Ratings:	dimmers rated for continuous duty: 6 x 4 kW; Max. duty of LT-0620P 24 kW;
Operating Environment:	0°C to 40°C; relative humidity max. 90% at 25°C; atmospheric pressure < 106kP.
Power Supply System:	3NPE 400V 50Hz (TN-S system, neutral directly connected to earth); Reduced-size N linear diameter is not allowed; Single-phase operation is possible ;
Supply Voltage Range:	230 V±10 %;
Rated Supply Current:	Star system 3-phase 3N with PE supply: 40A per phase at 230V;Single-phase supply: 120A at 230V;
Dimmer Protection:	MCB (Max. breaking capacity 6000A);
Control Signal Inputs:	DMX and LT-NET signal can be switched over by internal position selector switch;
DMX Signal:	correct DMX signal is continuous flash;
LT-NET signal:	correct LT-NET signal is red and green alternately;
DC Supply For Panels:	12V/0.2A;
Front Panel Indicators:	power is OK or not for each channel (MCB trip); DMX512 or LT-NET control signal is OK or not (LED indication for communication); Power supply status (LED indication for power supply);
Dimmer Test Functions:	when emergency button is pressed, internal trimmer potentiometer can be applied to dimming within 0 to 100% range for 6 channels;
Bypass Switch:	when the dimmer function module got wrong, take the bypass switch on



6 Channels Intelligent Dimmer Rack

LT-0620P 6 channels, 20A per channel

Installation diagram



Response Time: DMX≤30ms;
 Dimmer Resolution: 256 steps;
 Power Semiconductors: antiparallel SCR, Min. load per dimmer ≥60W
 DC Component in output voltage: below 1V in rated load range;
 Types of load: suitable for incandescent lamps, tungsten halogen lamps, and transformer-led low voltage lamps;

Electromagnetic Compatibility Standard: EN55103-1: 1996;
 EN55103-2:1996;
Safety Standard: EN60439 ,EN60950
Ingress Protection: IP2X

Protection:

- Protection for each channel by MCB (breaking capacity 6kA) to ensure safe operation of system under rated conditions;
- Power supply ingoing line diameter: 25mm² for rigid wire, 16mm² for stranded wire;
- Load terminal outgoing line diameter: 6mm² for rigid wire, 4mm² for stranded wire;
- Cables enter from the knockout cable hole at the top of the enclosure, or from the cable entry in the rear plate;
- The terminal of control signal lines enter from the cable hole at the bottom.

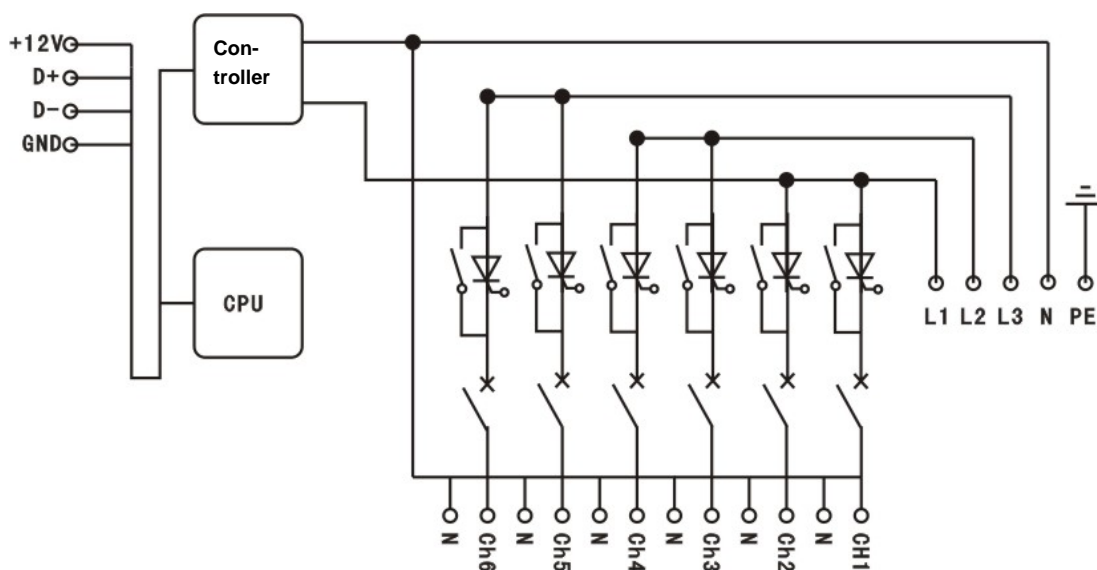
Communication:

DMX512/1990 communication protocol;
 LT-NET interface protocol.

Cooling:

Convection cooling via the lateral aluminum heat sink;

Electrical diagram



BEIJING STARLIGHT ELECTRONICS CO.,LTD

Addr: 7 Xingguang Road, Xihongmen Town, Daxing District, Beijing

Tel: 010-60259548, 60259546 Fax: 010-60259757 Email: mail@lightspace.com.cn

